



MAXIMO[®] DYNAMIC PLUS

With Dualmotion
Adaptive Back Support



** Multifunctional armrest
not included.*



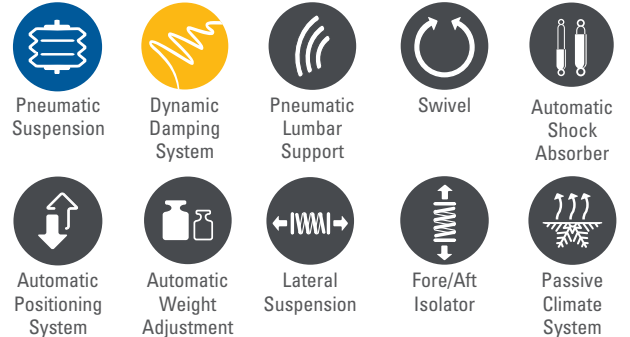
GRAMMER

TECHNICAL DATA

MAXIMO® DYNAMIC PLUS



The Maximo Dynamic Plus excels with Dualmotion technology: the upper backrest section rotates as the user twists around, thus continuing to provide back support and enabling the best possible view when it is necessary to work in a backward-facing position. Thanks to a redesigned swivel, lateral suspension, and new controls, the Maximo Dynamic Plus ideally meets the prerequisites for installing heavy multifunctional armrests (not included).

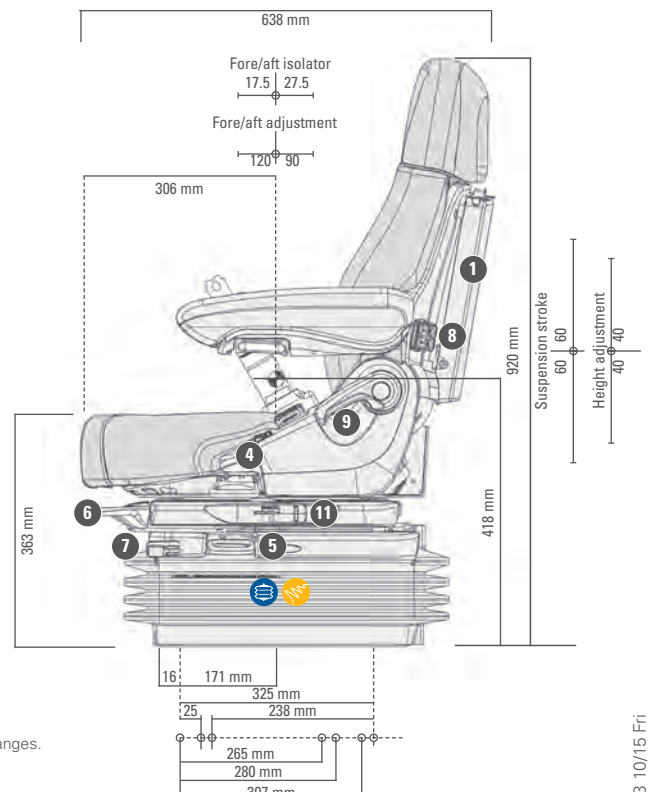
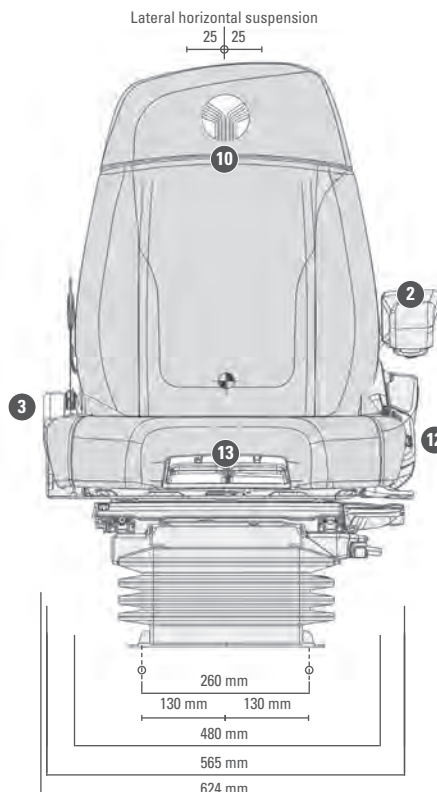


Features ● Standard ○ Optional

	Maximo® Dynamic Plus
Article no. fabric	1323523
① Document box	●
APS (Automatic positioning system)	●
Armrests	
② Left: 80 x 380 mm, adjustable angle	●
③ Right: interface for multifunctional armrest	●
Shock absorber , Automatic	●
④ Swivel 7.5° left / 15° right	●
Pneumatic suspension with 12 V compressor	●
Dynamic Damping System®	●
Suspension stroke 120 mm	●
Weight adjustment , Automatic	●
⑤ Height adjustment , 80 mm infinite (air-assisted)	●

	Maximo® Dynamic Plus
Climate system , passive	●
⑥ Fore/aft adjustment 210 mm	●
⑦ Fore/aft isolator	●
⑧ Lumbar support , pneumatic	●
⑨ Adjustable backrest angle	●
Restraint system	●
⑩ Adaptive backrest Dualmotion	●
⑪ Lateral suspension	●
Seat cushion width	565 mm
⑫ Seat heating 2-step	●
⑬ Adjustable seat cushion depth and angle	●
OPTIONAL FEATURES	
Operator presence switch (OPS)	○

Measurements (installation dimensions)



All dimensions in mm.
Subject to technical changes.